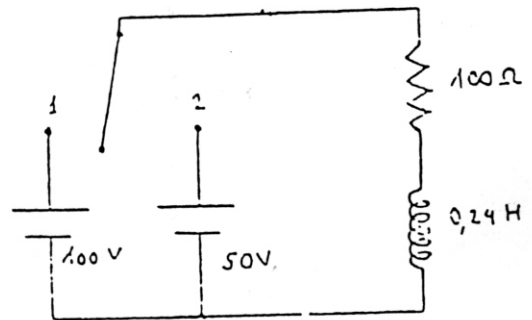
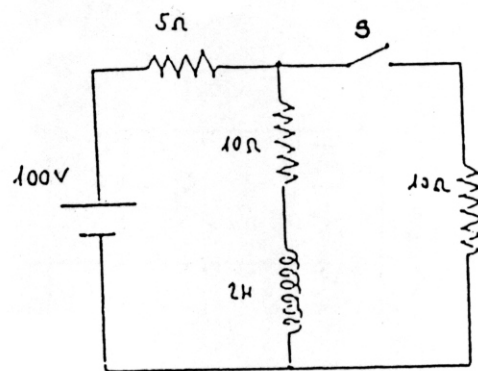


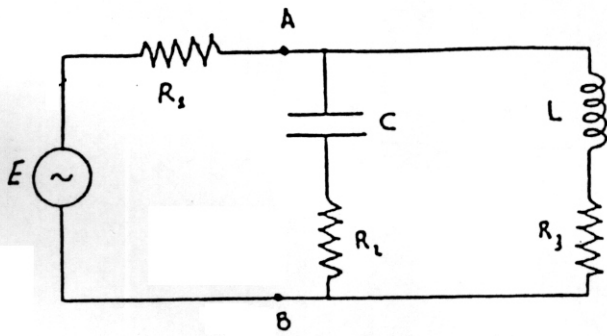
Problema 2



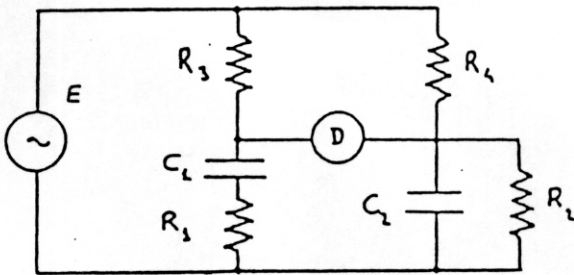
Problema 3



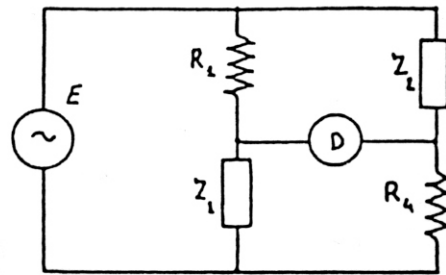
Problema 5



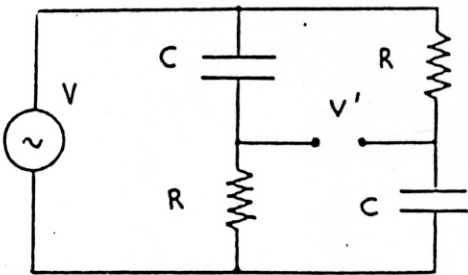
Problem 9



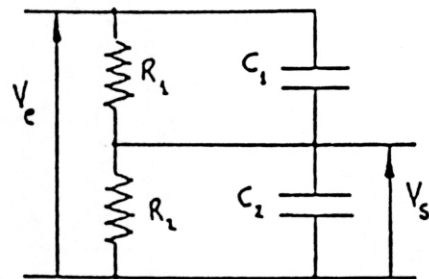
Problem 10



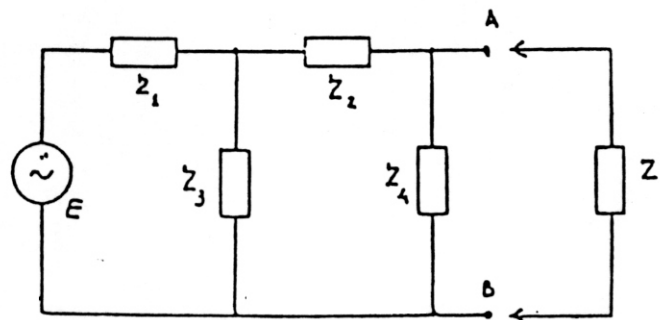
Problem 11



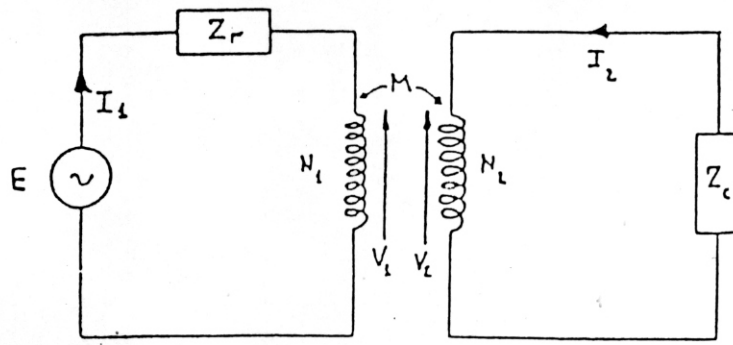
Problem 12



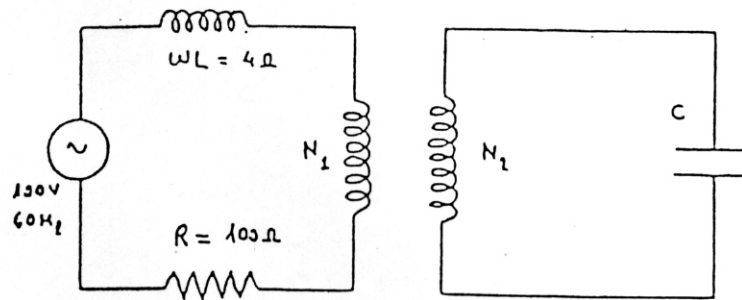
Problem 13



Problem 14

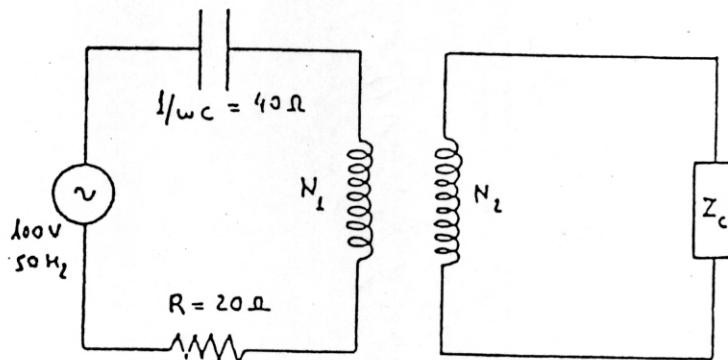


Problem 16



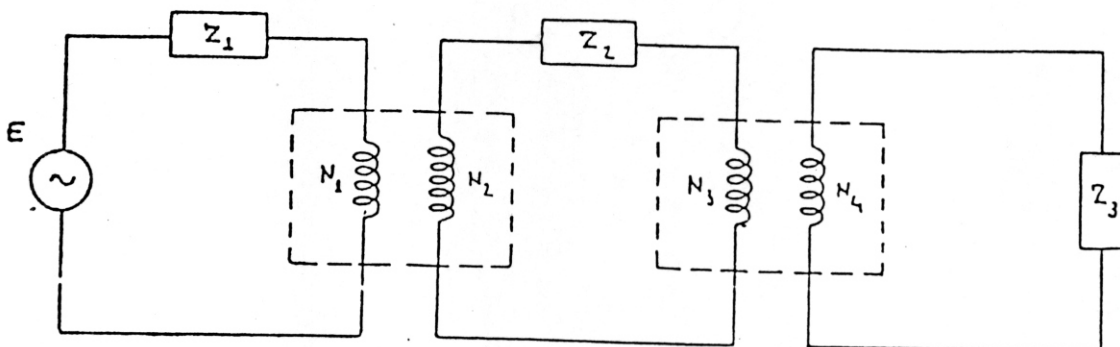
$N_1 = 50$
 $N_2 = 250$

Problem 17



$N_1 = 50$
 $N_2 = 100$

Problem 18



Problem 19